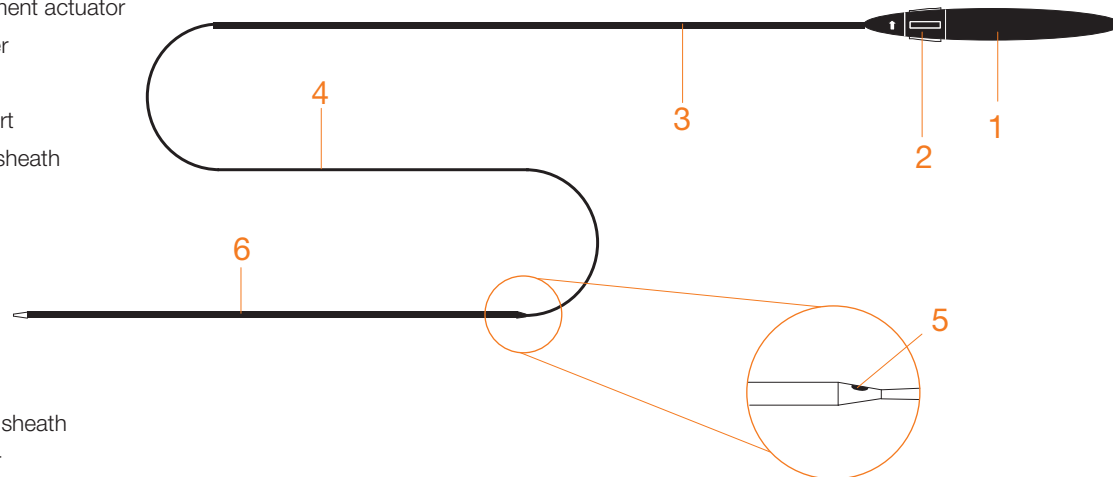


Ordering Information

Art. No.	Unconstrained Stent, Ø [mm]	Configuration	Stent Length [mm]
XRX 020 07S	7	Straight	20
XRX 020 08S	8	Straight	20
XRX 020 09S	9	Straight	20
XRX 020 10S	10	Straight	20
XRX 030 07S	7	Straight	30
XRX 030 08S	8	Straight	30
XRX 030 09S	9	Straight	30
XRX 030 10S	8 – 6	Straight	30
XRX 030 08T	8 – 6	Tapered	30
XRX 030 09T	9 – 7	Tapered	30
XRX 030 10T	10 – 8	Tapered	30
XRX 040 08T	8 – 6	Tapered	40
XRX 040 09T	90 – 7	Tapered	40
XRX 040 10T	10 – 8	Tapered	40

Technical Information

1. Freestyle ergonomic handle
2. Freestyle deployment actuator
3. Freestyle stabiliser
4. Catheter shaft
5. Guidewire exit port
6. 5.7F distal outer sheath



Compatible with 6F sheath
/8F guiding catheter

Please contact your local sales representative for more info.

Abbott Vascular
3200 Lakeside Drive
Santa Clara, CA 95054-2807
USA
Tel: + 1 408 845 3000
Fax: + 1 408 845 3333

Abbott Vascular
Park Lane
Culliganlaan 2B, 1831 Diegem
BELGIUM
Tel: + 32 2 714 14 11
Fax: + 32 2 714 14 12

Manufacturing address
ALVE Ltd. Swiss Branch
Amphauptstrasse, CH-8222 Beringen
SWITZERLAND
Tel: + 41 52 674 8374
Fax: + 41 52 674 85 94

This product is intended for use by or under the direction of a physician. Prior to use, it is important to read the package insert thoroughly for instructions for use, warnings and potential complications associated with use of this device.

Information contained herein for distribution outside the U.S. and Japan only.
Please check the regulatory status of the device before distribution in areas where CE marking is not the regulation in force.

For more information, visit our website at www.abbottvascular.com



Accurate placement with strength where it counts

Nitinol construction

Unique variable cell size

Xact with freestyle TECHNOLOGY
rapid exchange carotid stent system



Xact rapid exchange carotid stent system

Accurate placement with strength where it counts

with **freestyle**
TECHNOLOGY

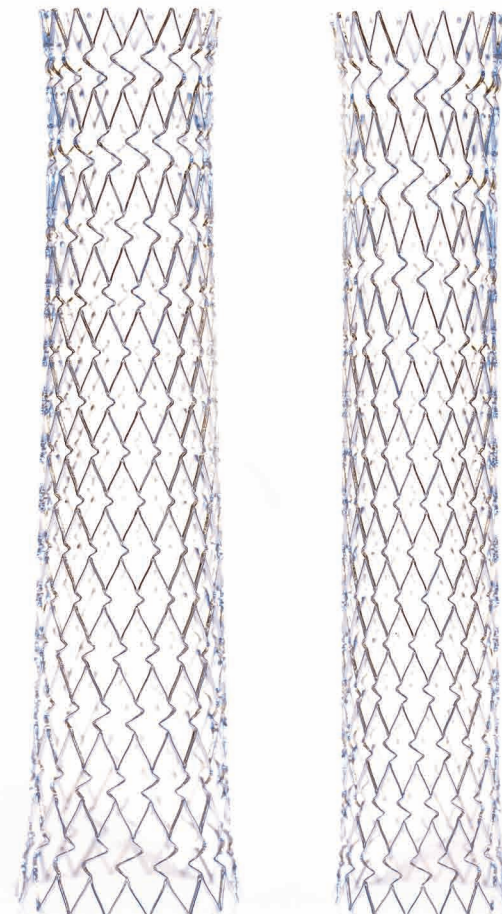
Xact Carotid Stent

Nitinol construction

- Straight and tapered configurations
- Accurate sizing
- Minimal foreshortening
- Exceptional crush resistance

Unique variable cell size

- Increased radial force at lesion
- Increased stent coverage at lesion designed to minimise plaque extrusion
- Reduced radial force at healthy vessel segments
- Cell design minimises risk of snagging



Xact Tapered Xact Straight

Freestyle Technology

- Rapid exchange delivery system
- Stability of system allows accurate placement every time
- Single handed operation
- Low crossing profile (5.7F)
- Designed to minimise blood loss
- Excellent pushability and trackability
- Outstanding radiopacity



Single handed operation

Carotid Stent System with Freestyle Technology